



# SOY NUGGET EXTRUDERS

( TSP Vegetable protein)



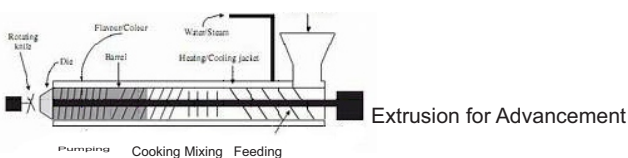
Tasty Nugget

MSEB-500 Extruder for 500Kg/hour Nugget.  
Main Motor 56 Kw(75 HP)



Tasty Nugget

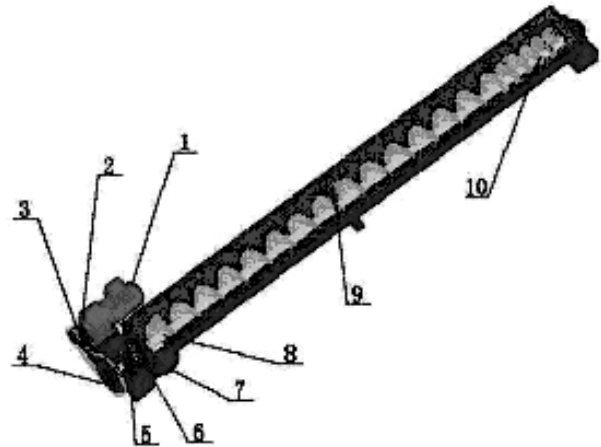
MESBHS-200 for 200 Kg/Hour Nugget  
Main Motor 45Kw(60HP)



Our HTST (High temperature short residence times) Extruder is used for producing Soy TSP (Texturised Soy Protein or TVP) from defatted soy grits. Good shear and heat control on these machines ensures good texture and taste... and supply of rich proteins (amino acids) in compact structure. Good appearance ... tastes like meat though vegetarian & rich in proteins. Works as meat substitute too.

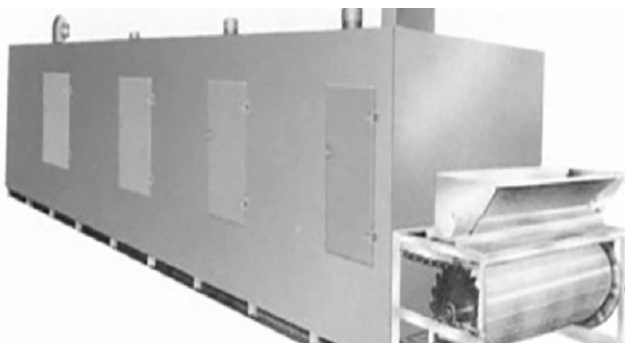


Raw materials Mixer



1. reducer 2. active chain wheel 3. chain 4. idle chain wheel 5. bearing supports 6. packing seal devices  
7. out from the unit 8. flight 9. wire vibrator 10. input

Inclined pipe conveyor may be used for conveying the Raw materials from Mixer to Extruder



Single layer Drier



Blower pipe conveyor may shift wet products from Extruder to Drier



Manufacturers:

## MALIK ENGINEERS

Unit-1, Shailesh Ind. Estate-1, Navghar, Vasai(East)-401 210, M.S., India. Telefax: 91 250 2390839  
 Off: B-203, Atlanta, Evershine nagar, Malad(West),Mumbai-400 064, India. Telefax: 91 22 28830751  
 Email: [info@malikengg.com](mailto:info@malikengg.com) website: [www.malikengg.com](http://www.malikengg.com) Mobile: 9821676012